

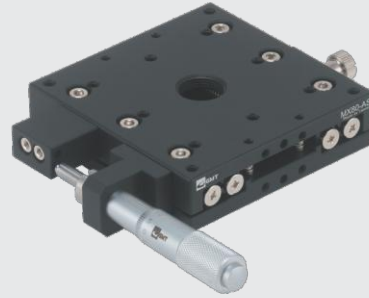
## Crossed Roller Guiding ◀ X-Axis and XY-Axis ▶ Aluminum Alloy

Crossed Roller Stages | 80\*80

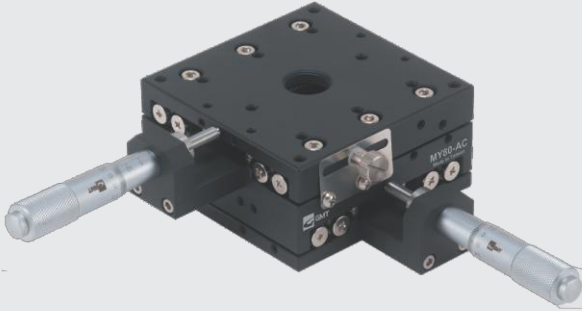
MX80-AC



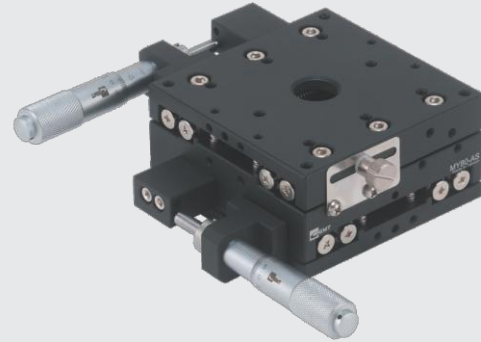
MX80-AS



MY80-AC



MY80-AS



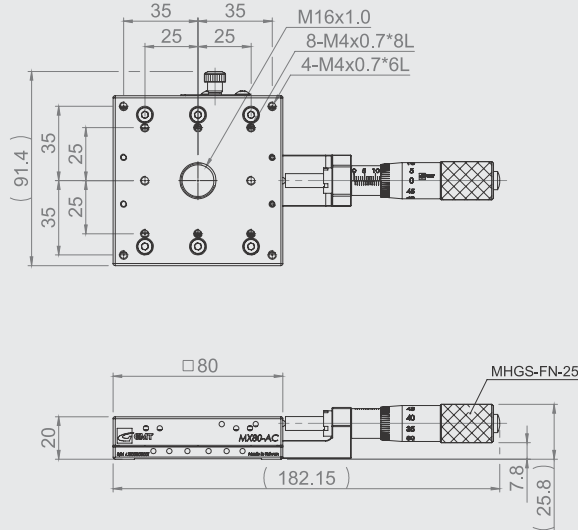
Unit : mm

Model No.	Table Size	Axis	Feed Position	Travel Stroke	Micrometer Minimum Reading (μm)	Straightness Accuracy (μm)	Allowable Loading (kgf)	Weight (kg)	Material	Surface Finish
MX80-AC	80*80	X-axis	Central	±12.5	10	3	10	0.5	Aluminum alloy	Black anodized
MX80-AS			Side							
MY80-AC		XY-axis	Central							
MY80-AS			Side							

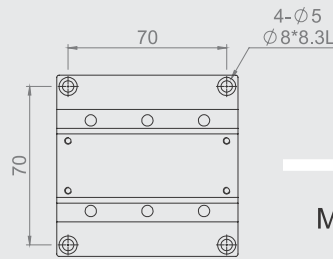
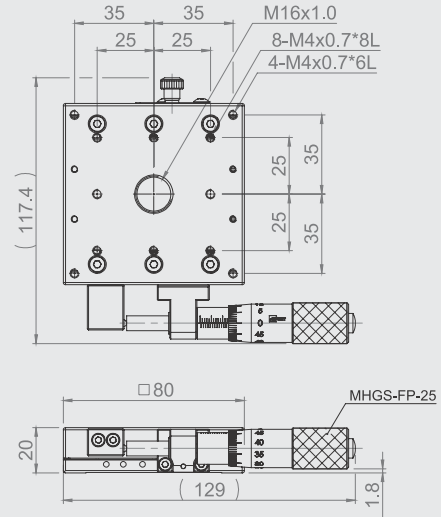
## Crossed Roller Guiding ► X-Axis and XY-Axis ► Aluminum Alloy

Crossed Roller Stages | 80\*80

MX80-AC

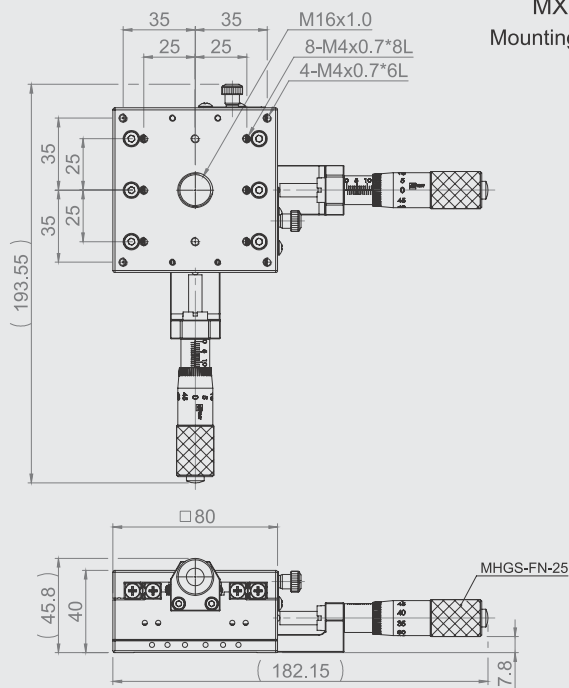


MX80-AS



MX(Y)80-A  
Mounting Dimensions

MY80-AC



MY80-AS

